
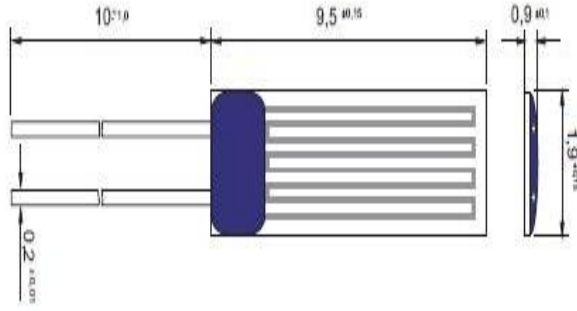



Pt100 SENSORS


Miniatur sensors Pt100

		<p>9.5 mm x 1.9 mm</p> <p>DIN EN 60751</p> <p>Class B</p> <p>3850 ppm/K</p> <p>70 - +500 °C</p> <p>STPT-015A</p>
---	--	---


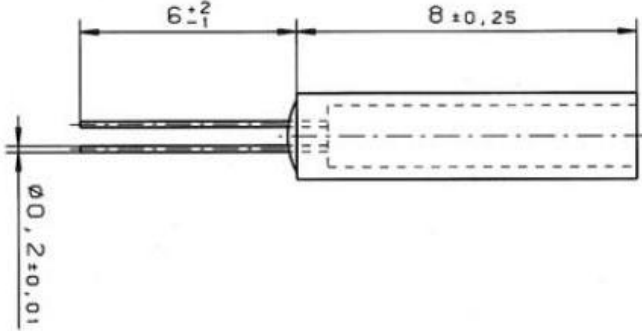
Inox case Pt100 sensors

	<p>Cables: 2x 300mm Ø 0,50 mm</p>	<p>20 mm x 6 mm Ø</p> <p>DIN EN 60751</p> <p>Class 1/3 B</p> <p>3850 ppm/K</p> <p>-40 - +500 °C</p> <p>STPT-100X</p>
---	---------------------------------------	---


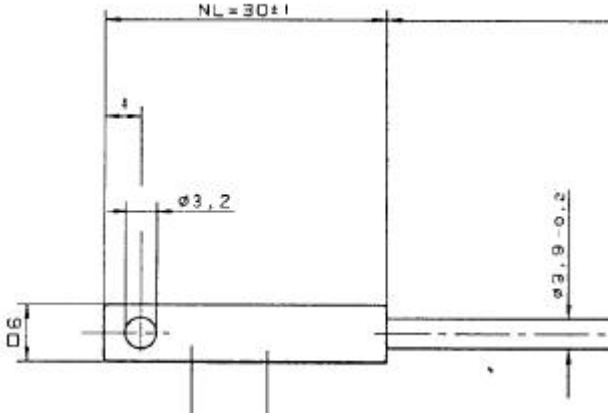
Brass case Pt100 sensors

	<p>Cables: 2x 180 mm Ø 0,4 mm</p>	<p>20 mm x 6 mm Ø 9,73 mm (G1/8")</p> <p>DIN EN 60751</p> <p>Class B</p> <p>3850 ppm/K</p> <p>-40 - +250 °C</p> <p>STPT-100R</p>
---	--------------------------------------	---

Ceramic case Pt100 sensors

		<p>8 mm x 2,8 mm Ø</p> <p>DIN EN 60751</p> <p>Class B</p> <p>3850 ppm/K</p> <p>-70 - +500 °C</p> <p>Cables: 6mm Ø 0,2 mm</p> <p>STPT-100C</p>
---	--	--

Hermetic plastic case Pt100 sensors

		<p>30 mm x 6 mm x 6mm</p> <p>DIN EN 60751</p> <p>Class B</p> <p>3850 ppm/K</p> <p>-20 - +110 °C</p> <p>Cables: 2500 mm long, 2x0,22 mm²</p> <p>Hole: Ø 3,2 mm</p> <p>IP 62</p> <p>STPT-100T</p>
---	--	---

http://www.arquimedes.tv/sens/sensor_Pt100.htm